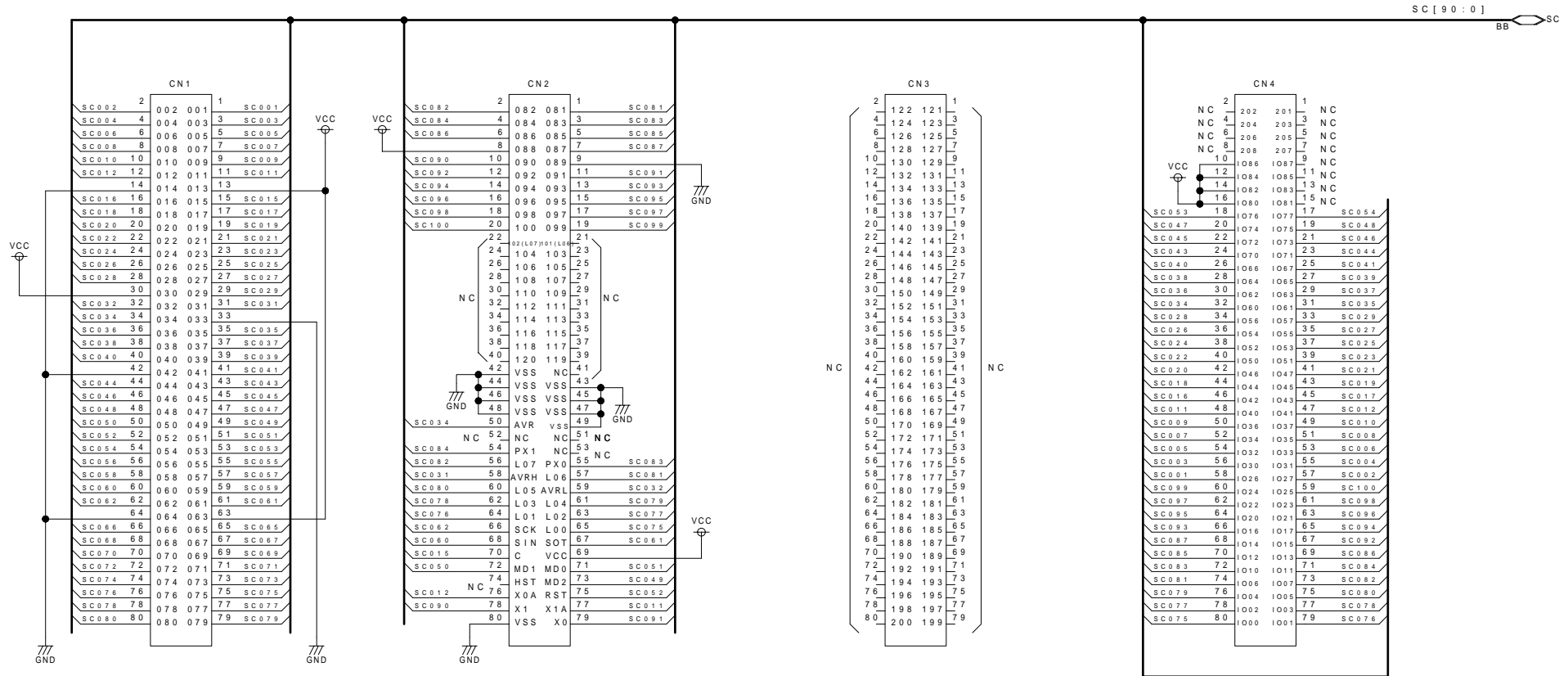
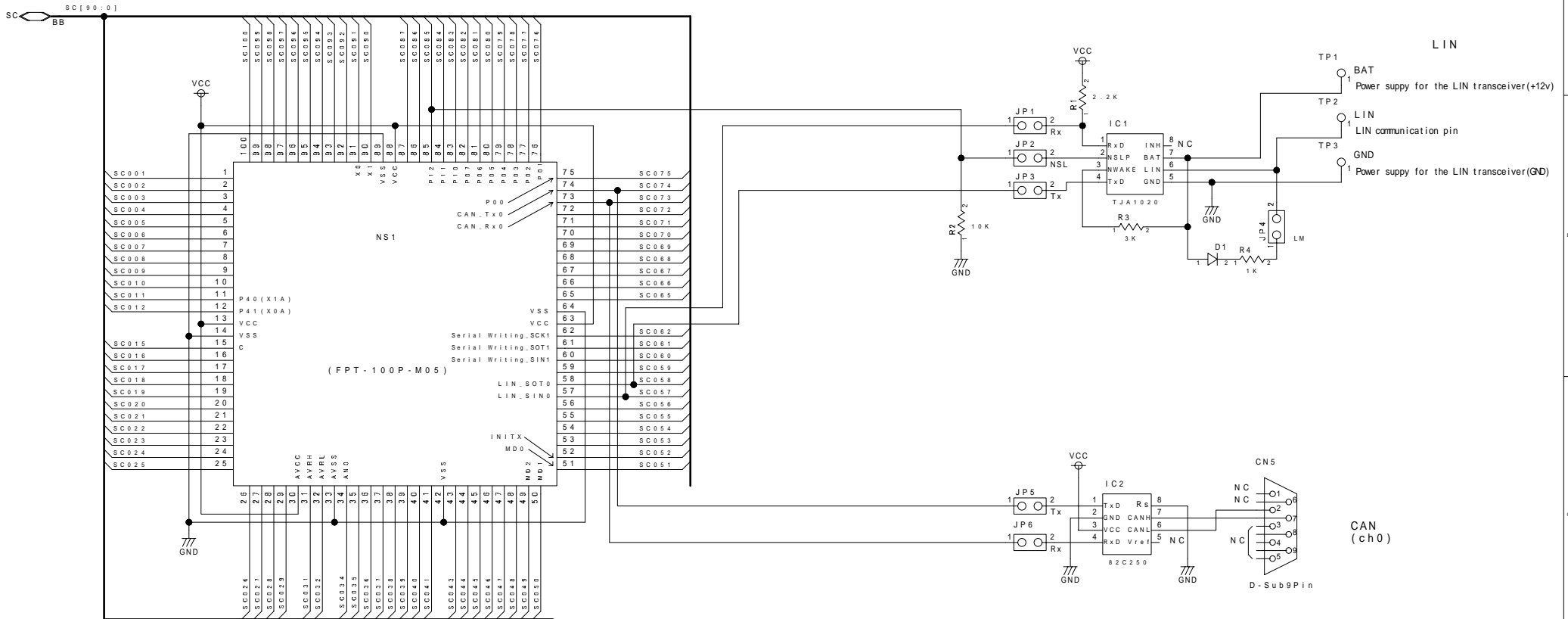


CN1-CN4: Main board - Daughter board connecting connectors





Sunhayato Corp.

Date	2004.11.19	Rev	Title
DR	t.marumori		BBF2004-FR100SCL-NB
CH		Document Number	2/2
APR		KRZ-80951	